

DATA SHEET

Liqui-Flux® W10

Intended Use:	Ultrafiltration
Sheet no.:	W10 – 10/2013 E
Supersedes sheet no.:	W10 – 02/2012 E

UltraPES™ Membrane Characteristics

Membrane type	Hollow fiber, inside - out
Membrane material	Polyethersulfone
Outer / Inner diameter	1.2 mm / 0.8 mm
Burst pressure	≥ 1200 kPa (174 psi)
Membrane configuration	Multifiber P.E.T.® Technology

Housing Characteristics

Housing material	PVC
Potting material	Polyurethane
Sealing end caps	EPDM, O-ring
Connectors	Variable, see back side
Weight, dry	51 kg (112 lbs.)
Weight filled with liquid	150 kg (331 lbs.)
Effective membrane surface area	75 m ² (807 ft ²)
Max. working pressure	600 kPa (87 psi) @ 20 °C (68 °F)
Max. working temperature	40 °C (104 °F) @ 400 kPa (58 psi)
pH-range during cleaning	1 - 13

Regulatory Compliance

Germany	UBA (KTW)
USA	ANSI/NSF 61



All dimensions are nominal

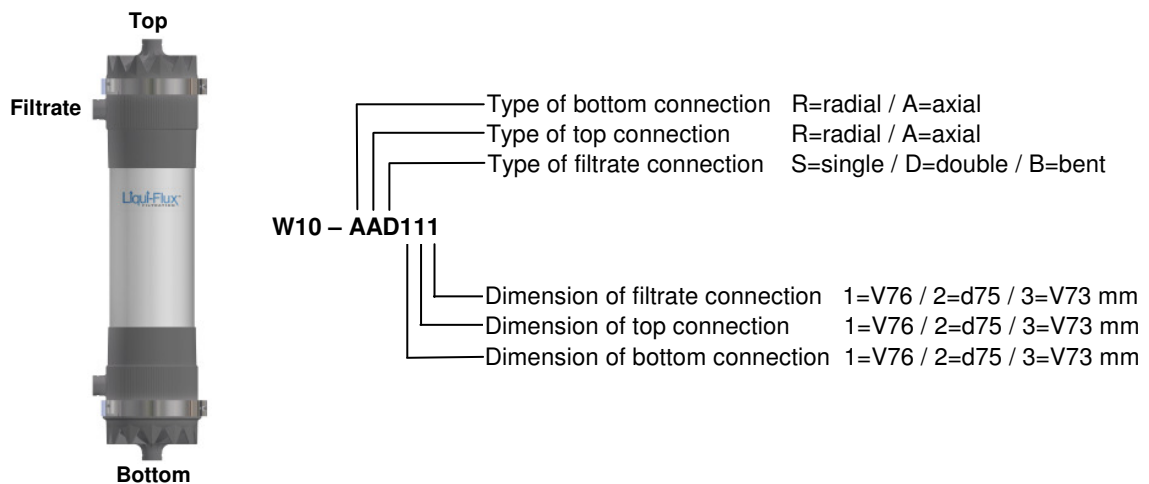


DATA SHEET Liqui-Flux® W10

Typical Application / Operating Data:		
Operating mode		Dead-End / Cross-Flow
Typical flux range, filtration	l/m ² *h (gal./ft ² *day)	50 - 150 (29 - 88)
Typical flux range, backwash	l/m ² *h (gal./ft ² *day)	250 (147)
Filtrate flow rate range	m ³ /h (gpm)	4 - 11 (16 - 48)
Typical transmembrane pressure, filtration	kPa (psi)	10 - 70 (1.5 - 10)
Typical transmembrane pressure, backwash	kPa (psi)	50 - 200 (7 - 30)
Max. transmembrane pressure	kPa (psi)	250 (36)
Max. instantaneous chlorine tolerance	ppm	200
Max. free chlorine exposure	ppm h	200000
Typical cleaning chemicals		NaOCl, HCl, NaOH

Variable Connect Concept - VCC™

W10 modules are optionally equipped with one or two filtrate ports and end caps with axial or radial port. The connection of those ports is available as Victaulic® 76 mm or 73 mm or pipe OD 75 mm for bonding. Those options are defined by the following code:



All end caps prepared to fasten the module directly on the skid or to connect it to other modules.

This product is to be used only by persons familiar with its use. It must be maintained within the stated limitations. This product is delivered non-sterile. All sales are subject to Seller's terms and conditions. Purchaser assumes all responsibility for the suitability and fitness for use as well as for the protection of the environment and for health and safety involving this product. Seller reserves the right to modify this document without prior notice. Check with your representative to verify the latest update. To the best of our knowledge, the information contained herein is accurate. However, neither Seller nor any of its affiliates assumes any liability whatsoever for the accuracy or completeness of the information contained herein. Determination of the suitability of any material and infringement of any third party rights, including patent, trademark, or copyright rights, are the sole responsibility of the user. Users of any substance should satisfy themselves by independent investigation that the material can be used safely. We may have described certain hazards, but we cannot guarantee that these are the only hazards that exist.

Liqui-Flux®, P.E.T.® and ACCUREL® are registered trademarks and UltraPES™ is a trademark of Membrana GmbH. Nothing herein shall be construed as a recommendation or license to use any information that conflicts with any patent, trademark or copyright of Seller or others. Please read our Operating Manuals carefully before installing and using these modules.

THE INFORMATION CONTAINED HEREIN AND SELLER'S PRODUCTS ARE PROVIDED "AS IS" WITHOUT WARRANTY OF ANY KIND, EITHER EXPRESSED OR IMPLIED, INCLUDING, BUT NOT LIMITED TO, THE IMPLIED WARRANTIES OF MERCHANTABILITY, FITNESS FOR ANY PARTICULAR PURPOSE OR USE, OR NON-INFRINGEMENT OF INTELLECTUAL PROPERTY. IN NO EVENT SHALL SELLER BE LIABLE FOR ANY SPECIAL, INCIDENTAL, INDIRECT, OR CONSEQUENTIAL DAMAGES OF ANY KIND, OR ANY DAMAGES WHATSOEVER RESULTING FROM THE USE OF INFORMATION CONTAINED HEREIN AND SELLER'S PRODUCTS.

Copyright © 2013 Membrana GmbH. All rights reserved.