

2.5" SERIES REVERSE OSMOSIS UNITS

MODEL	DIMENSION L x W x H	PIPING CONN			MOTOR	MAX. GPD @ 77°F
		INLET	PERMEATE	REJECT		
MRO-200	22" x 7" x 31"	1/4" TUBE	1/4" TUBE	1/4" TUBE	N/A	200
MRO-300	28" x 7" x 33"	3/8" TUBE	3/8" TUBE	1/4" TUBE	N/A	300
MRO-500	20" x 14" x 27"	3/4" NPT	3/8" TUBE	3/8" TUBE	1/3 HP	500
MRO-1000	20" x 14" x 27"	3/4" NPT	3/8" TUBE	3/8" TUBE	1/2 HP	1000
MRO-1500	23" x 19" x 46"	3/4" NPT	3/8" TUBE	3/8" TUBE	3/4 HP	1500
MRO-2500	23" x 19" x 46"	3/4" NPT	3/8" TUBE	3/8" TUBE	3/4 HP	2500

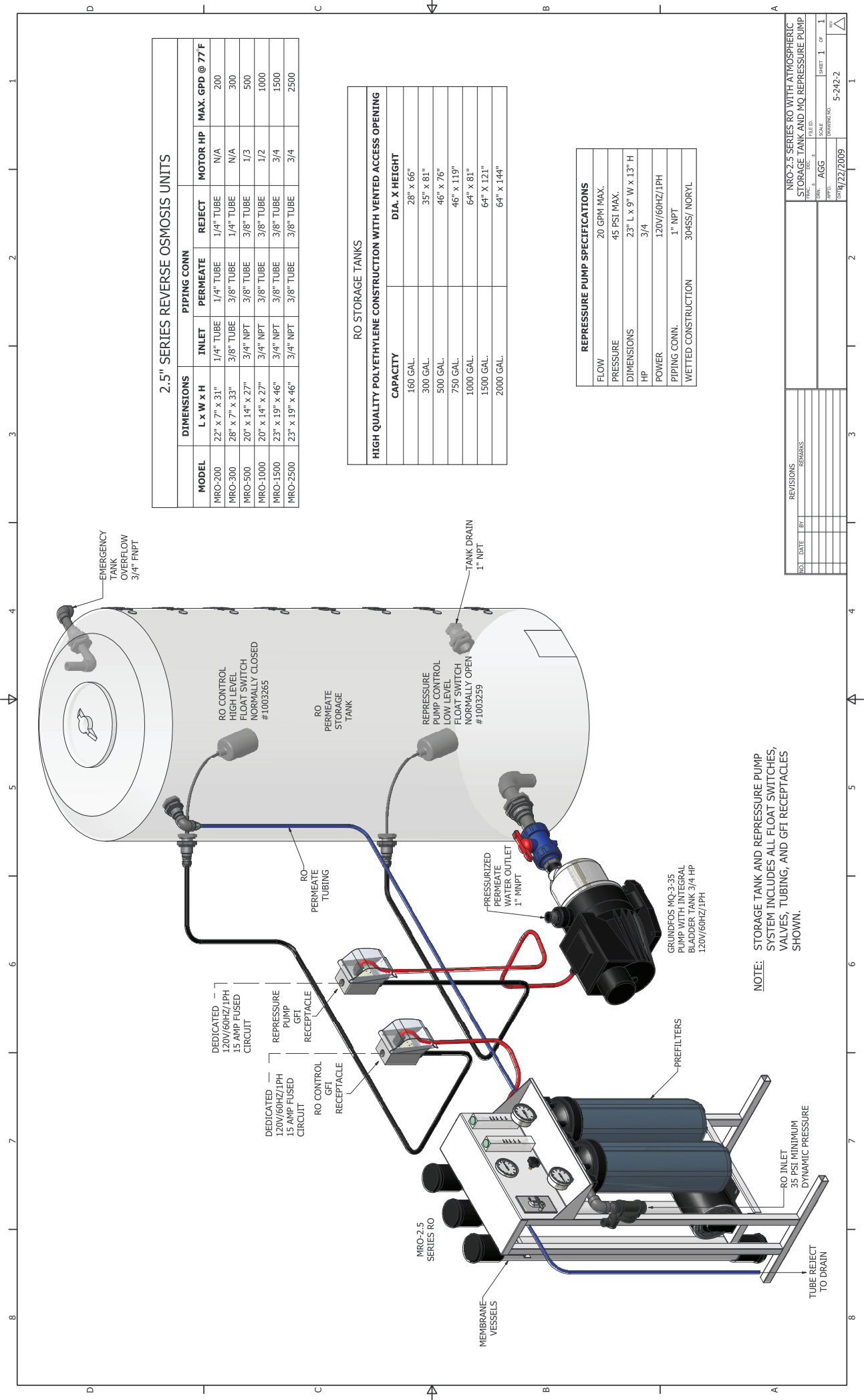
RO BLADDER TANK SPECIFICATIONS FRP CONSTRUCTION NSF/FDA LISTED

MODEL	DIA X HEIGHT	CAPACITY @ 50 PSI
ROMATE 15	16" x 27"	7 GAL.
ROMATE 20	16" x 33"	10 GAL.
ROMATE 30	16" x 44"	15 GAL.
ROMATE 40	16" x 57"	20 GAL.
ROMATE 80	25" x 56"	40 GAL.

NOTE: DIRECT FEED BLADDER TANK INCLUDES ALL PIPING, VALVES, ETC. SHOWN FOR COMPLETE OPERATIONAL SYSTEM.

REVISIONS		MRO-2.5 SERIES RO WITH DIRECT FEED BLADDER TANK	
NO.	DATE	BY	REMARKS

DESIGN	AGG	DATE	05/18/22/2009
DRAWING NO.	5-242-1	SHEET 1	OF 1



**2.5" SERIES REVERSE OSMOSIS UNITS**

MODEL	DIMENSIONS			PIPING CONN			MOTOR HP	MAX. GPD @ 77 F
	L x W x H	INLET	PERMEATE	REJECT				
MRO-200	22" x 7" x 31"	1/4" TUBE	1/4" TUBE	1/4" TUBE	N/A	200		
MRO-300	28" x 7" x 33"	3/8" TUBE	3/8" TUBE	1/4" TUBE	N/A	300		
MRO-500	20" x 14" x 27"	3/4" NPT	3/8" TUBE	3/8" TUBE	1/3	500		
MRO-1000	20" x 14" x 27"	3/4" NPT	3/8" TUBE	3/8" TUBE	1/2	1000		
MRO-1500	23" x 19" x 46"	3/4" NPT	3/8" TUBE	3/8" TUBE	3/4	1500		
MRO-2500	23" x 19" x 46"	3/4" NPT	3/8" TUBE	3/8" TUBE	3/4	2500		

**RO STORAGE TANKS**

**HIGH QUALITY POLYETHYLENE CONSTRUCTION WITH VENTED ACCESS OPENING**

CAPACITY	DIA. X HEIGHT
160 GAL.	28" x 66"
300 GAL.	35" x 81"
500 GAL.	46" x 76"
750 GAL.	46" x 119"
1000 GAL.	64" x 81"
1500 GAL.	64" x 121"
2000 GAL.	64" x 144"

**REPRESSURE PUMP SPECIFICATIONS**

FLOW	20 GPM MAX.
PRESSURE	45 PSI MAX.
DIMENSIONS	23" L x 9" W x 13" H
HP	3/4
POWER	120V/60HZ/1PH
PIPING CONN.	1" NPT
WETTED CONSTRUCTION	304SS/ NORYL

NO.	DATE	BY	REVISIONS

MRO-2.5 SERIES RO WITH ATMOSPHERIC STORAGE TANK AND HQ REPRESSURE PUMP  
 DRAWN: AGG  
 CHECKED: 1 OF 1  
 DATE: 12/22/2009  
 DRAWING NO.: 5-242-2

**NOTE:** STORAGE TANK AND REPRESSURE PUMP SYSTEM INCLUDES ALL FLOAT SWITCHES, VALVES, TUBING, AND GFI RECEPTACLES SHOWN.

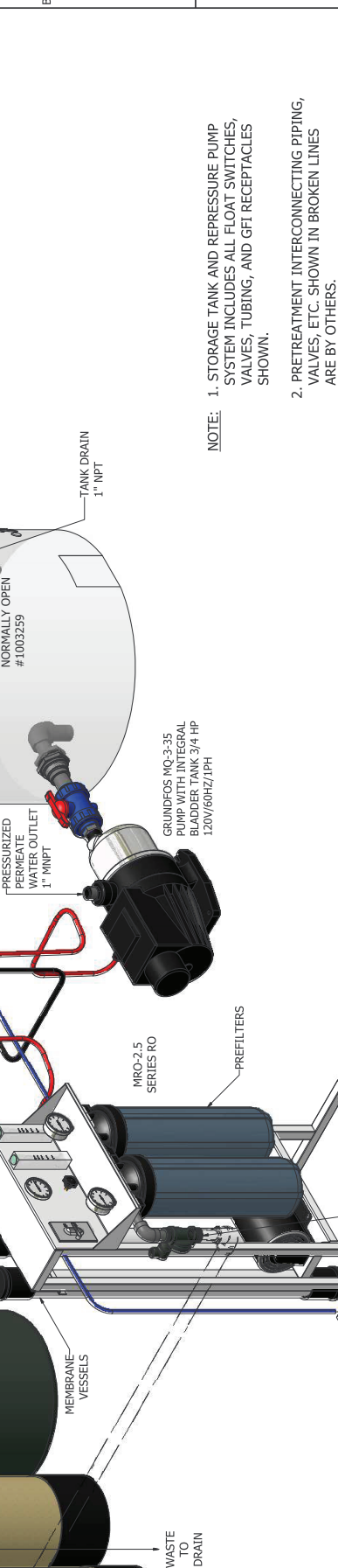
# 2.5" SERIES REVERSE OSMOSIS UNITS

MODEL	DIMENSIONS		PIPING CONN		MOTOR HP	MAX. GPD @ 77 F
	L X W X H	INLET	PERMEATE	REJECT		
MRO-200	22" x 7" x 33"	1/4" TUBE	1/4" TUBE	1/4" TUBE	N/A	200
MRO-300	28" x 7" x 33"	3/8" TUBE	3/8" TUBE	1/4" TUBE	N/A	300
MRO-500	20" x 14" x 27"	3/4" NPT	3/8" TUBE	3/8" TUBE	1/3	500
MRO-1000	20" x 14" x 27"	3/4" NPT	3/8" TUBE	3/8" TUBE	1/2	1000
MRO-1500	23" x 19" x 46"	3/4" NPT	3/8" TUBE	3/8" TUBE	3/4	1500
MRO-2500	23" x 19" x 46"	3/4" NPT	3/8" TUBE	3/8" TUBE	3/4	2500

RO STORAGE TANKS	
HIGH QUALITY POLYETHYLENE CONSTRUCTION WITH VENTED ACCESS OPENING	
CAPACITY	DIA. X HEIGHT
160 GAL.	28" X 66"
500 GAL.	46" X 96"
750 GAL.	46" X 96"
1000 GAL.	46" X 119"
1500 GAL.	64" X 81"
2000 GAL.	64" X 121"
2000 GAL.	64" X 144"

RO STORAGE TANKS	
HIGH QUALITY POLYETHYLENE CONSTRUCTION WITH VENTED ACCESS OPENING	
CAPACITY	DIA. X HEIGHT
160 GAL.	28" X 66"
500 GAL.	46" X 96"
750 GAL.	46" X 96"
1000 GAL.	46" X 119"
1500 GAL.	64" X 81"
2000 GAL.	64" X 121"
2000 GAL.	64" X 144"

PRESSURE PUMP SPECIFICATIONS	
FLOW	20 GPM MAX.
PRESSURE	120 PSI MAX.
DIMENSIONS	23" L X 9" W X 13" H
HP	3/4
POWER	120V/60HZ/1PH
PIPING CONN.	1" NPT
WETTED CONSTRUCTION	304SS/ NORYL



**NOTE:** 1. STORAGE TANK AND PRESSURE PUMP SYSTEM INCLUDES ALL FLOAT SWITCHES, VALVES, TUBING, AND GFI RECEPTACLES SHOWN.  
 2. PRETREATMENT INTERCONNECTING PIPING, VALVES, ETC. SHOWN IN BROKEN LINES ARE BY OTHERS.

NO.	DATE	BY	REVISIONS

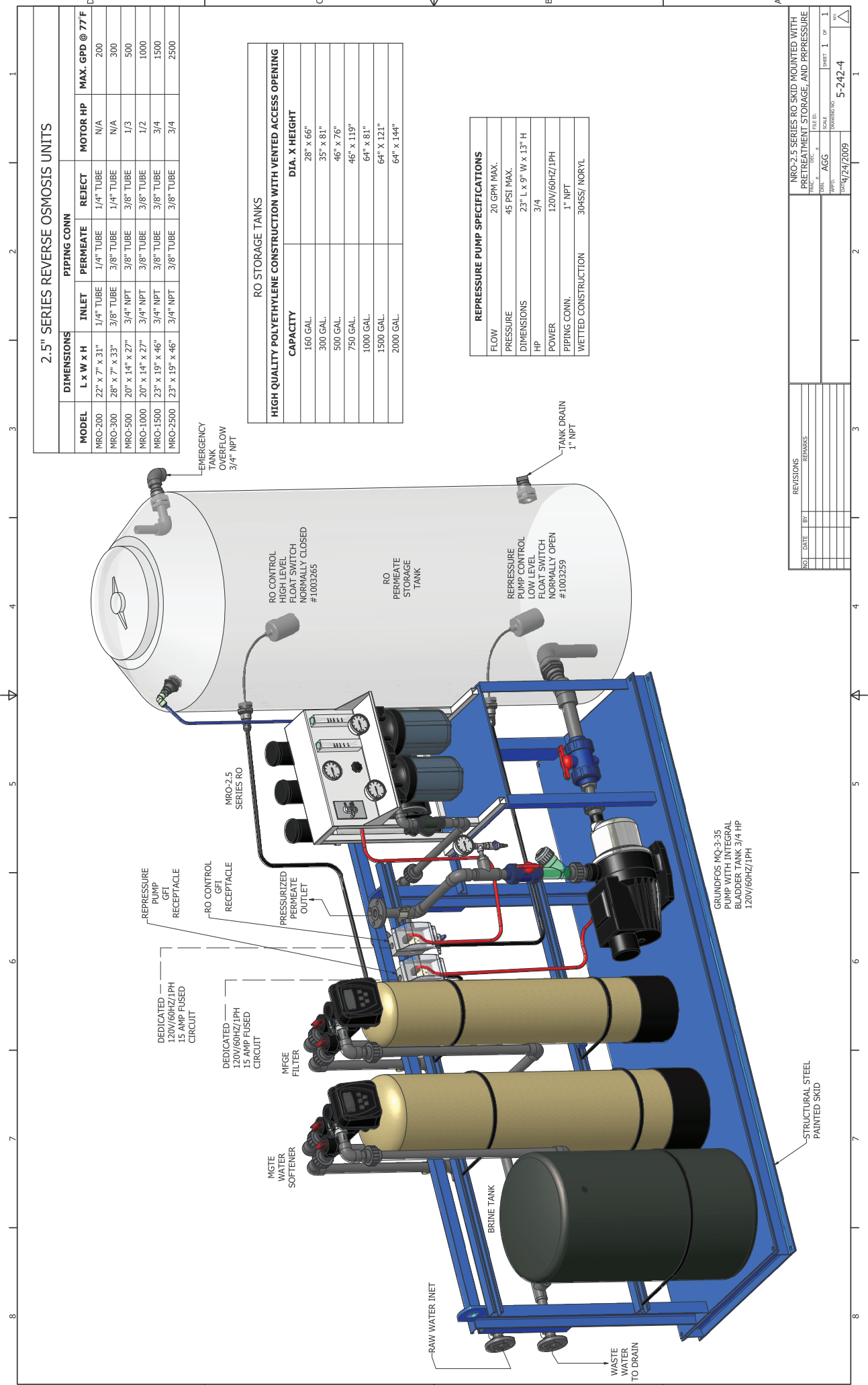
REVISIONS		NO.	DATE	BY	DESCRIPTION

2.5" SERIES REVERSE OSMOSIS UNITS

MODEL	DIMENSIONS			PIPING CONN			MOTOR HP	MAX. GPD @ 77 F
	L x W x H	INLET	PERMEATE	REJECT				
MRO-200	22" x 7" x 31"	1/4" TUBE	1/4" TUBE	1/4" TUBE	N/A	200		
MRO-300	28" x 7" x 33"	3/8" TUBE	3/8" TUBE	1/4" TUBE	N/A	300		
MRO-500	20" x 14" x 27"	3/4" NPT	3/8" TUBE	3/8" TUBE	1/3	500		
MRO-1000	20" x 14" x 27"	3/4" NPT	3/8" TUBE	3/8" TUBE	1/2	1000		
MRO-1500	23" x 19" x 46"	3/4" NPT	3/8" TUBE	3/8" TUBE	3/4	1500		
MRO-2500	23" x 19" x 46"	3/4" NPT	3/8" TUBE	3/8" TUBE	3/4	2500		

HIGH QUALITY POLYETHYLENE CONSTRUCTION WITH VENTED ACCESS OPENING		CAPACITY	DIA. X HEIGHT
		300 GAL.	35" x 81"
		500 GAL.	46" x 76"
		750 GAL.	46" x 119"
		1000 GAL.	64" x 81"
		1500 GAL.	64" x 121"
		2000 GAL.	64" x 144"

REPRESSURE PUMP SPECIFICATIONS	
FLOW	20 GPM MAX.
PRESSURE	45 PSI MAX.
DIMENSIONS	23" L x 9" W x 13" H
HP	3/4
POWER	120V/60HZ/1PH
PIPING CONN.	1" NPT
WETTED CONSTRUCTION	304SS/ NORVL



REVISIONS		NO. DATE		BY		REMARKS	

NO. DATE		BY		REMARKS	

MRO-2.5 SERIES RO SKID MOUNTED WITH  
 PRE-TREATMENT STORAGE, AND REPRESSURE  
 PUMP WITH INTEGRAL STORAGE TANK  
 MODEL NO. MRO-2.5-4  
 PART NO. 5-242-4