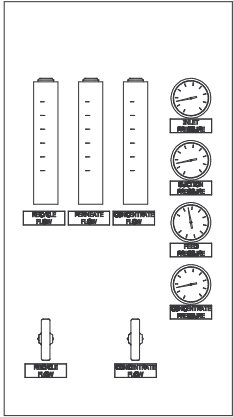
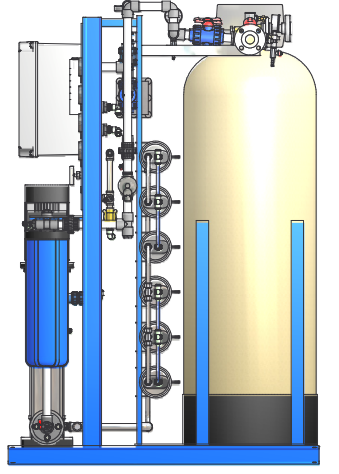
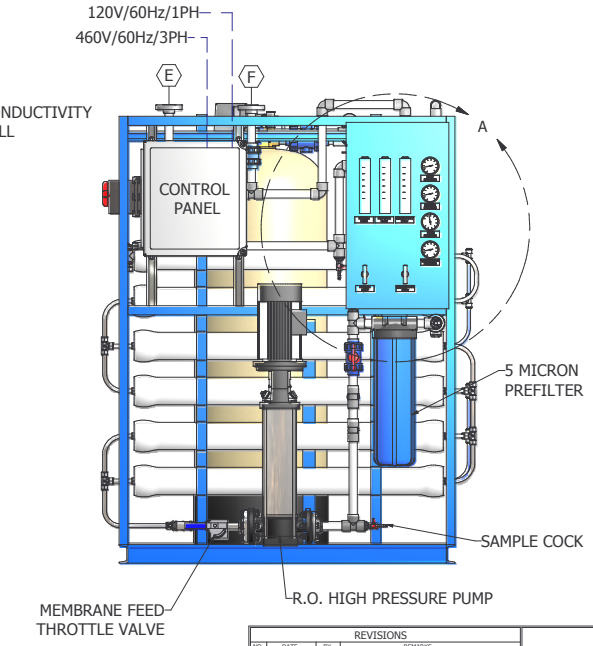
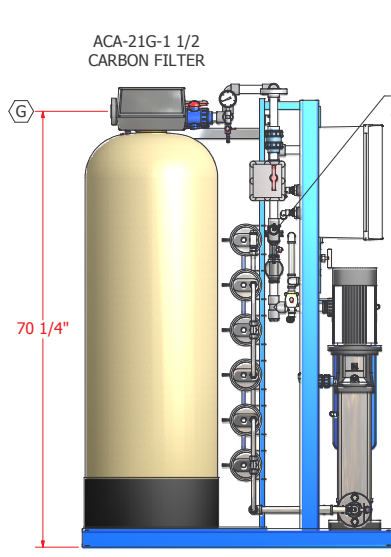
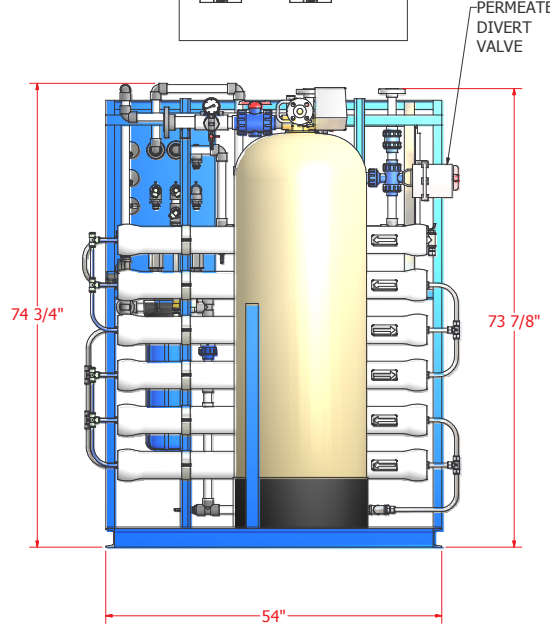
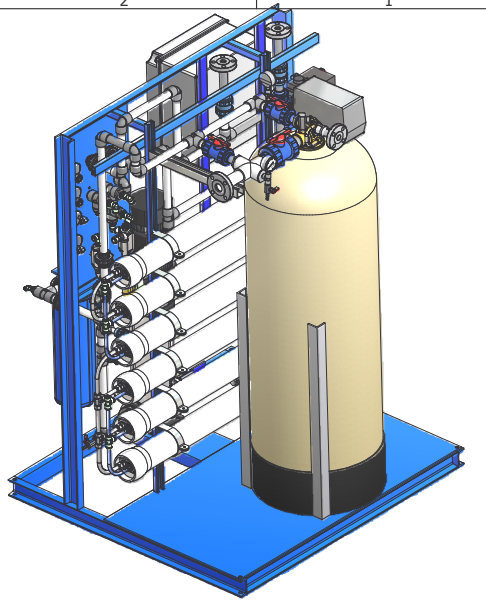
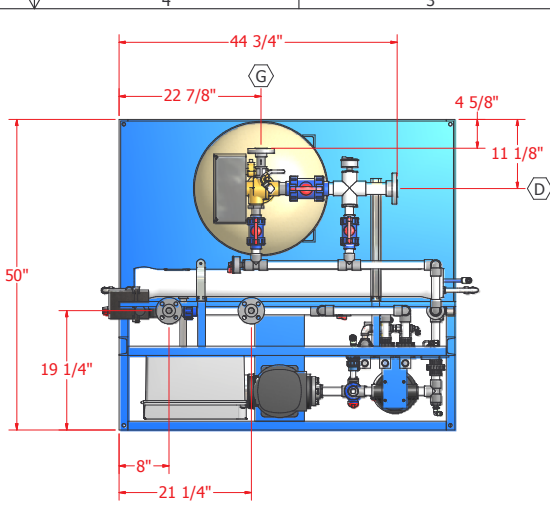


CONNECTION SCHEDULE						
ITEM	DESCRIPTION	LOCATION	MAX. FLOW	SIZE	CONNECTION	MATERIAL
D	RAW WATER INLET	FILTER	11.5 GPM	1 1/2"	150# FLANGE RF	PVC SCH 80
E	PERMEATE OUTLET	R.O.	7.5 GPM	1"	150# FLANGE RF	PVC SCH 80
F	CONCENTRATE OUTLET	R.O.	11.5 GPM	1"	150# FLANGE RF	PVC SCH 80
G	FILTER DRAIN	FILTER	20 GPM	1"	150# FLANGE RF	PVC SCH 80



DETAIL A



REVISIONS			
NO.	DATE	BY	REMARKS

NRO-10800-4H RESERVE OSMOSIS GENERAL ARRANGEMENT			
FRAC. #	DEC. #	FILE ID.	SCALE