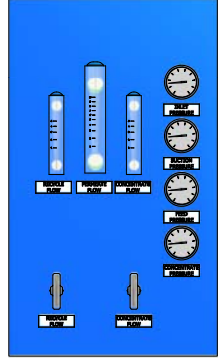
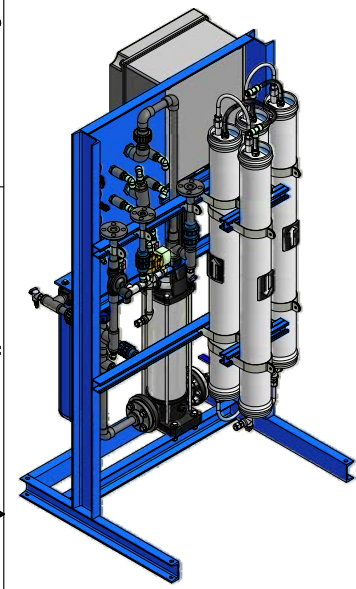
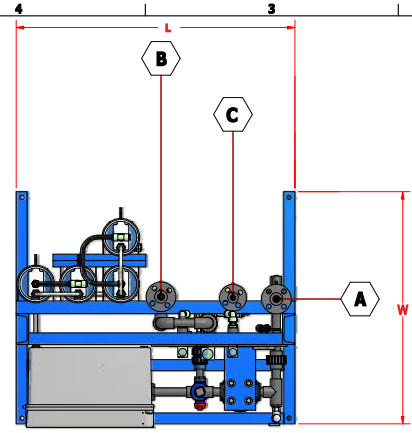


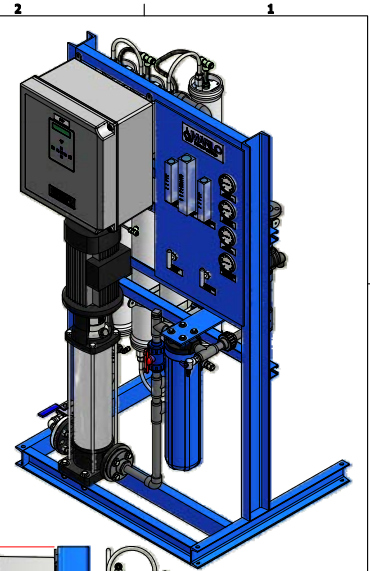
CONNECTION SCHEDULE				
ITEM	DESCRIPTION	MAX FLOW	SIZE	MATERIAL
A	RAW WATER INLET	GPH	1/2"	SCH 80 PVC
B	PERMEATE OUTLET	GPH	1/2"	SCH 80 PVC
C	DRAIN	GPH	1/2"	SCH 80 PVC



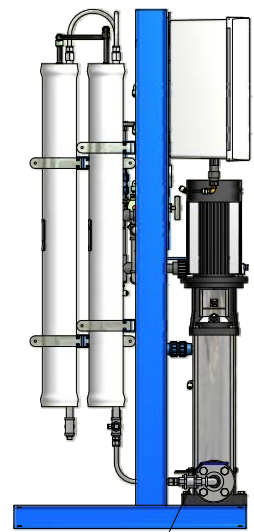
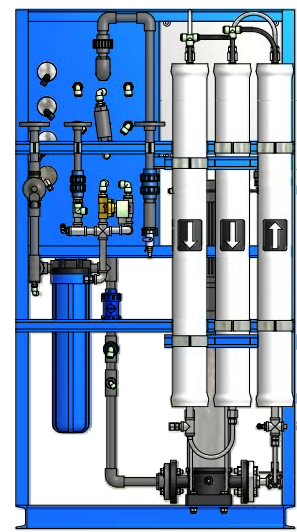
INSTRUMENT PANEL VIEW



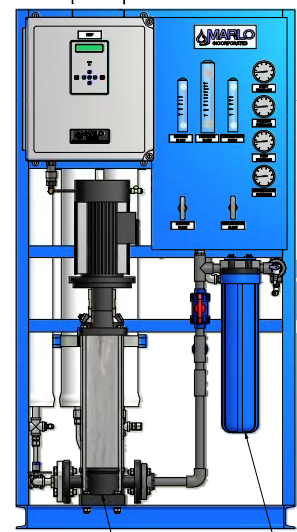
460V/60Hz/3Ph
120V/60Hz/1Ph



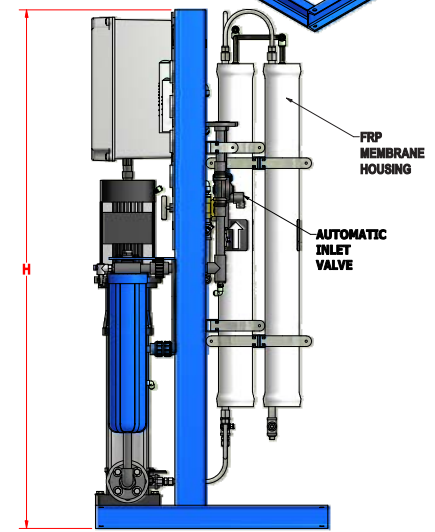
DIMENSION TABLE	MRO-
L = _____	
W = _____	
H = _____	



MEMBRANE FEED THROTTLE VALVE



HIGH PRESSURE PUMP
5 MICRON PREFILTER



FRP MEMBRANE HOUSING
AUTOMATIC INLET VALVE

REVISIONS			
NO.	DATE	BY	REMARKS

NRO-4V RO SYSTEM GENERAL ARRANGEMENT			
PROJ. NO.	DATE	REV. NO.	FILE NO.