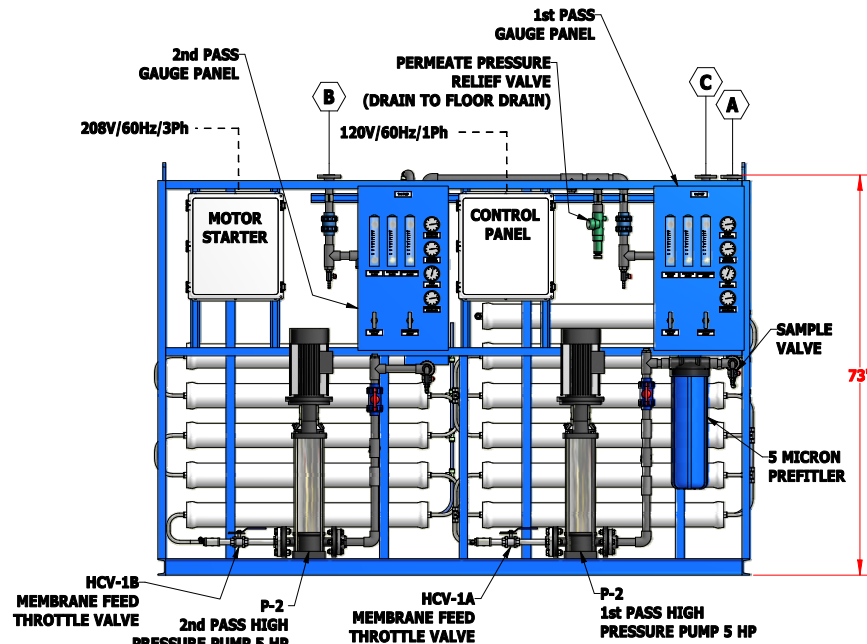
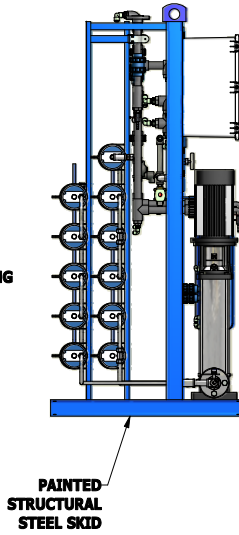
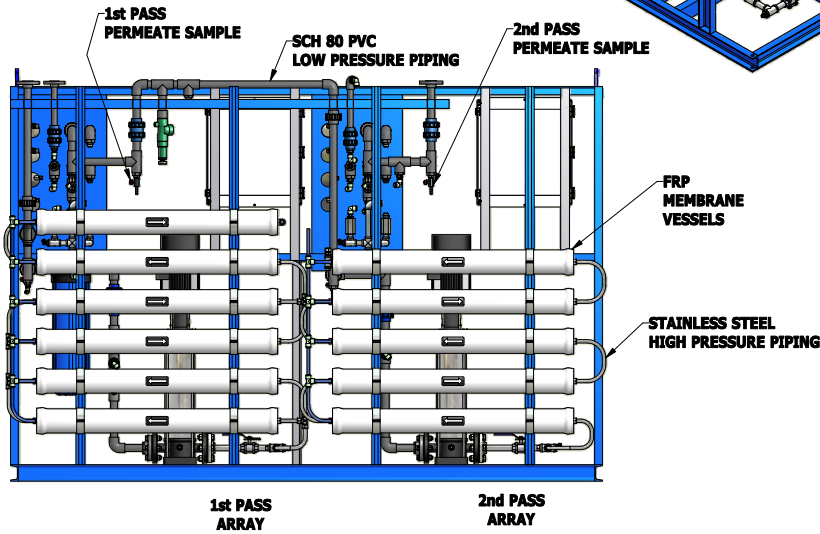
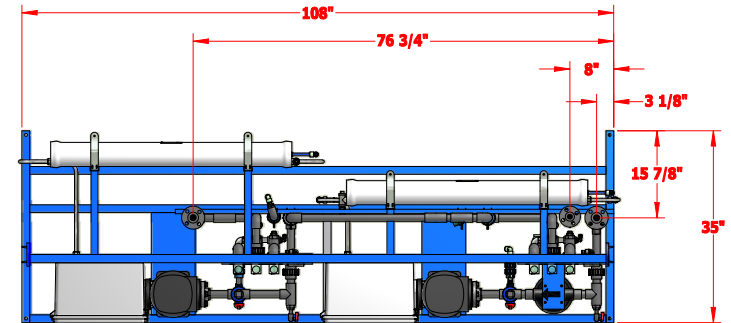
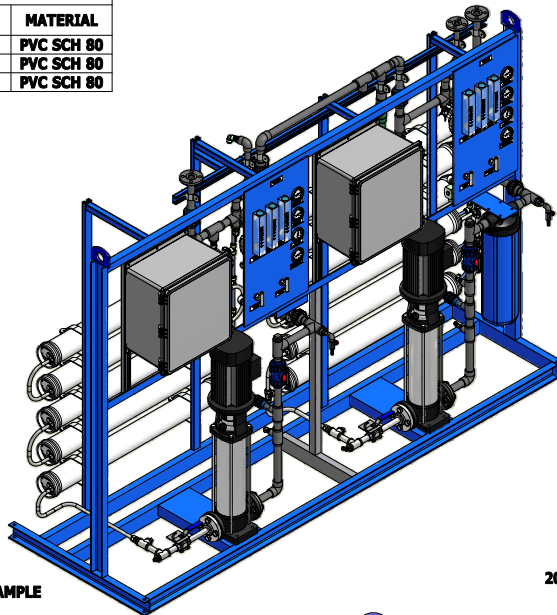
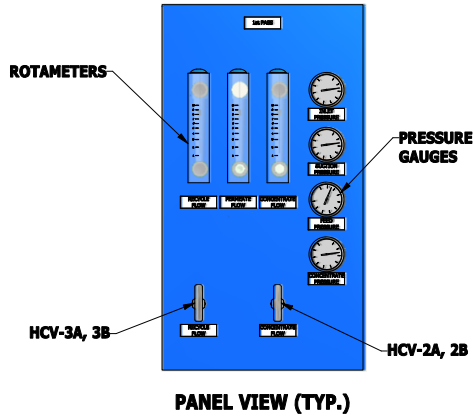


CONNECTION SCHEDULE						
ITEM	DESCRIPTION	LOCATION	MAX. FLOW	SIZE	CONNECTION	MATERIAL
A	RAW WATER INLET	R.O. SKID	9 GPM	1"	150# FLANGE RF	PVC SCH 80
B	PERMEATE OUTLET	R.O. SKID	5 GPM	1"	150# FLANGE RF	PVC SCH 80
C	CONCENTRATE OUTLET	R.O. SKID	4 GPM	3/4"	150# FLANGE RF	PVC SCH 80



REVISIONS			
NO.	DATE	BY	REVISION

NRO-9000-4H TWO PASS RESERVE OSMOSIS GENERAL ARRANGEMENT		SCALE	SHEET 1 OF 1
DESIGNER: AGG	DATE: 3/10/2008	DRAWING NO.	