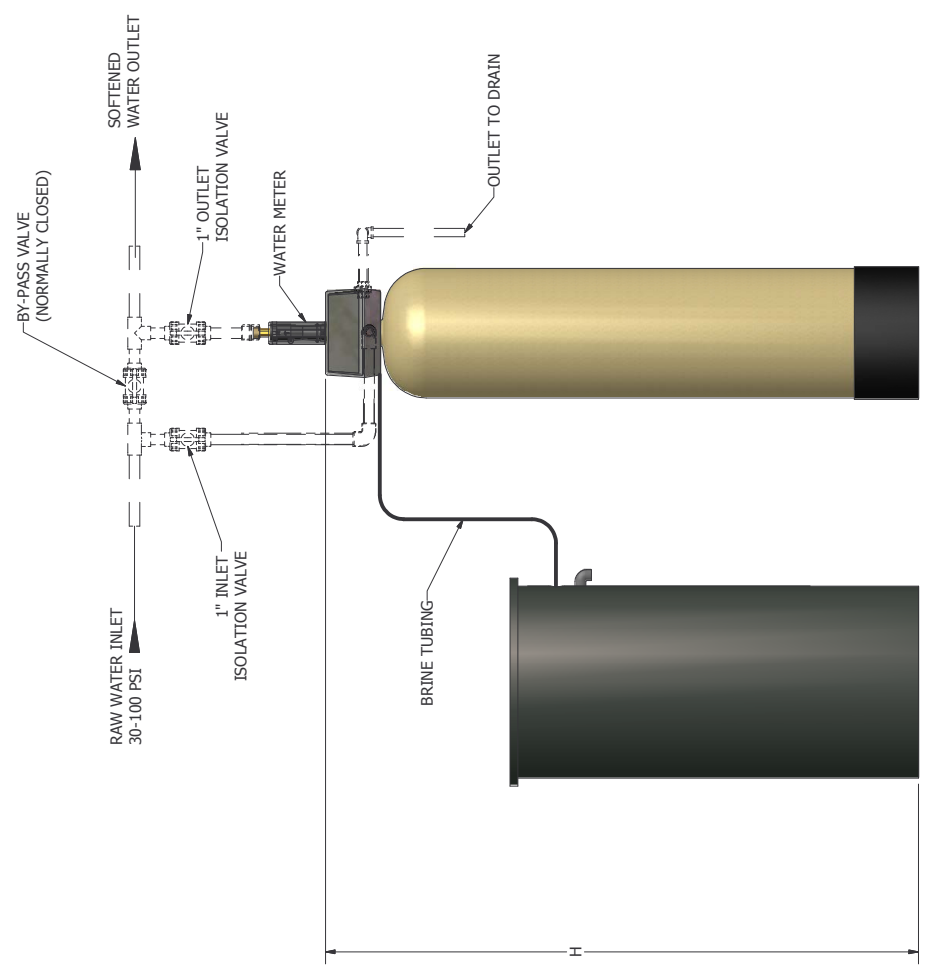
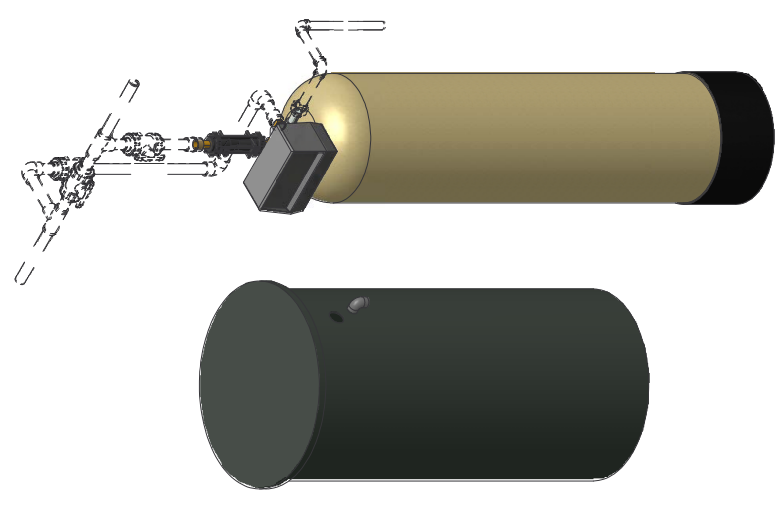


RESIN TANK  
RT DIAMETER

BRINE TANK  
BT DIAMETER



NOTES:  
ALL PIPING, FITTINGS, ETC SHOWN WITH DASHED LINES  
ARE PROVIDED BY OTHERS.  
GENERAL PLUMBING CONNECTIONS ARE SHOWN FOR  
CLARITY ONLY.

DIMENSION TABLE		MGT-
L=	_____	RT= _____
W=	_____	BT= _____
H=	_____	

REVISIONS		MGT SINGLE WATER SOFTENER (2750 VALVE) GENERAL ARRANGEMENT	
NO.	DATE	BY	REMARKS

FRGC: _____	DIC: _____	FILE ID: _____
DRIL: _____	ADJG: _____	SCALE: _____
APPD: _____	DATE: 3/4/2009	DRAWING NO: _____
		SHEET 1 OF 1
		REV: _____
		MGT SINGLE 2750

